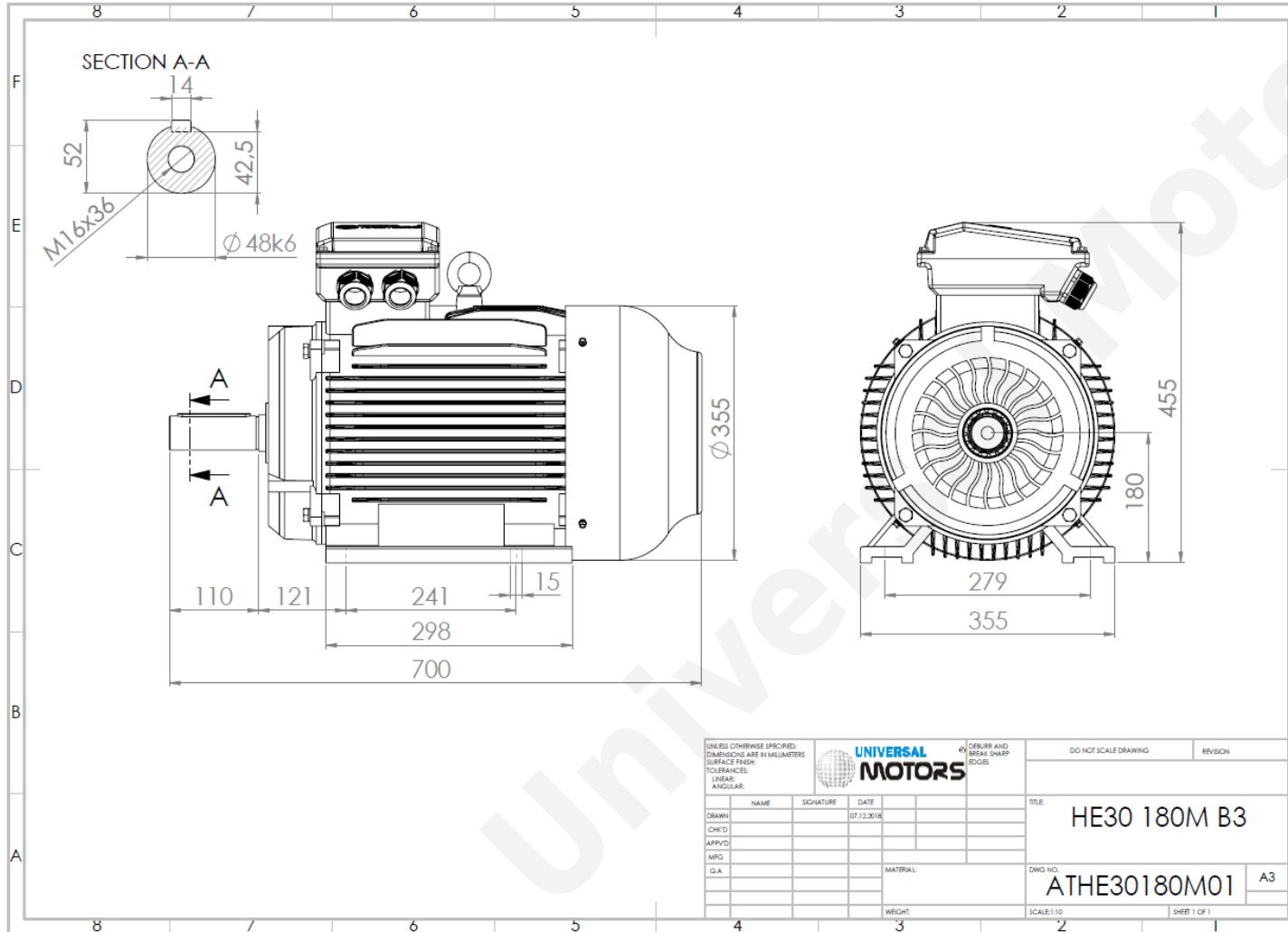




TECHNICAL DATA

Three Phase Electric Motors - Cast Iron Frame
 HE30 180 M1 2 IE2
 22 kW / 30 Cv
 2950 RPM



Motor type:	HE30 180 M1 2 IE2
Output:	22 kW / 30 Cv
Speed (min ⁻¹):	2950 RPM
Frequency:	50 Hz
Voltage:	400 V
Current:	39.1 A
Power factor (Cos Ø):	0.89
Poles:	2
Insulation class:	F
Temperature rise Class:	B
Efficiency 50%:	91.1 %
Efficiency 75%:	91.8 %
Efficiency 100%:	91.3 %
Torque:	71 N.m
Tstarting/Tnominal:	2.2
Istarting/Inominal:	8.2
Tmaximum/Tnominal:	2.3
Noise:	72 Db(A)
Weight:	195 Kg
Bearing DE:	6311 C3
Bearing NDE:	6311 C3

UNLESS OTHERWISE SPECIFIED: DIMENSIONS ARE IN MILLIMETERS SURFACE FINISH: TOLERANCES: LINEAR: ANGULAR:				UNIVERSAL MOTORS		DEBURR AND BREAK SHARP EDGES		DO NOT SCALE DRAWING		REVISION	
DRAWN	NAME	SIGNATURE	DATE			TITLE:		HE30 180M B3			
CHK'D			07.12.2016			DWG NO.:		ATHE30180M01		A3	
APP'VD				MATERIAL:		SCALE:1:10				SHEET 1 OF 1	
MFD				WEIGHT:							
Q.A.											

Regime - S1

Altitude - 1000m

Environment Temperature - 40°C

CONTACTS:

UNIVERSAL MOTORS Tel: +351 252 299 080
 Rua de São Brás,745 Fax: +351 252 299 089
 4480-782 VILA DO CONDE Mail: geral@universalmotors.pt

* References applied only in the UK